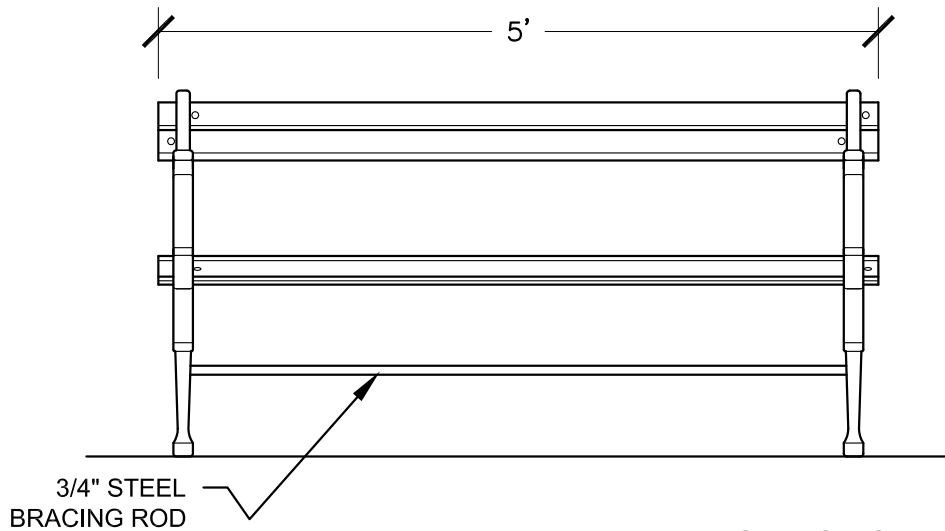


CLEAR WHITE OAK SLATS COATED WITH CLEAR EXTERIOR VARNISH

1/4-20 S.S. CARRIAGE BOLT - TYP.

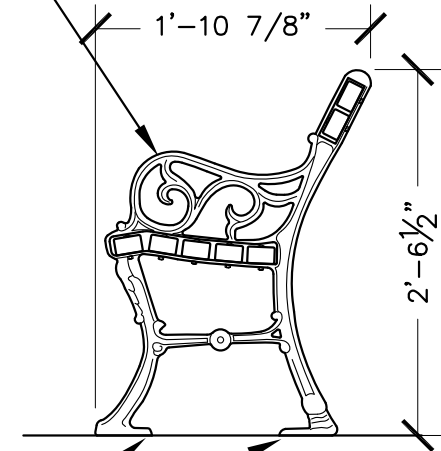
PLAN VIEW



3/4" STEEL BRACING ROD

ELEVATION

CAST IRON BENCH END - (2 REQ'D)



SIDE ELEVATION

UPON REQUEST, DRILLED 5/8" DIAM. CLEARANCE FOR 1/2" DIAM. ANCHOR BOLTS (BOLTS BY OTHERS)

Robinson Iron

# 5FT SCROLL BENCH

